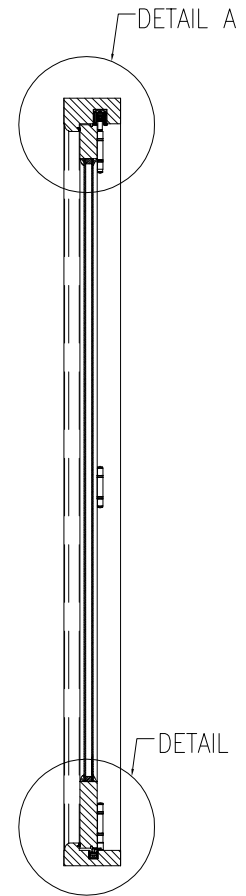
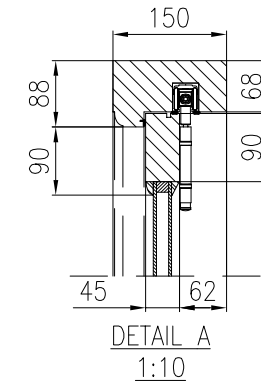


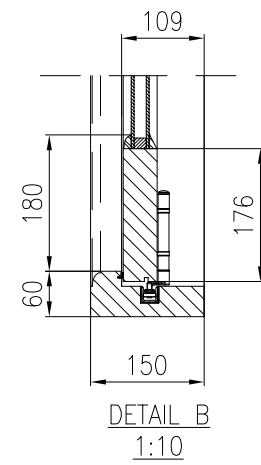
FRONT VIEW



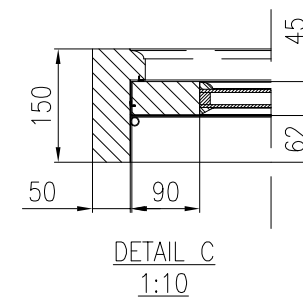
SECTION A-A



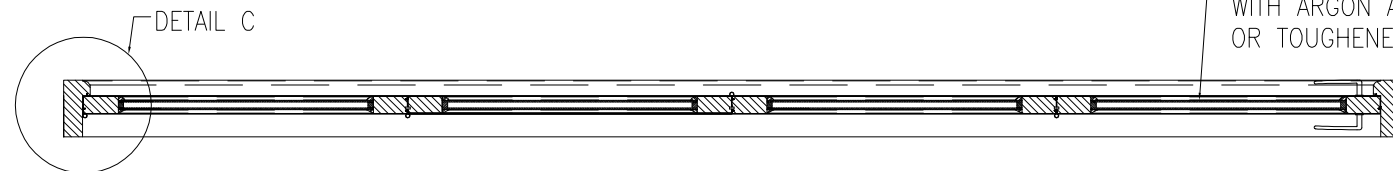
DETAIL A  
1:10



DETAIL B  
1:10



DETAIL C  
1:10



SECTION B-B

DOUBLE GLAZED WINDOW  
4mm GLASS, 16mm SPACE FILLED  
WITH ARGON AND 6.4mm LAMINATED  
OR TOUGHENED GLASS

NOTES

1. THIS DRAWING TO BE READ IN CONJUNCTION WITH ALL OTHER RELEVANT DRAWINGS AND SPECIFICATIONS.
2. ALL DIMENSIONS IN MILLIMETRES UNLESS OTHERWISE STATED.
3. DO NOT SCALE FROM THIS DRAWING.

FOLDING / SLIDING DOOR
DIMENSIONS = According to Drawings and Client's Specifications
MATERIAL = Engineering Softwood (Pine) or Hardwood (Oak, Meranti)
COLOUR = According to Client's Specifications
GLAZING = Low-E, Double or Triple Argon Gas Filled
GLASS U-VALUE = 1.1W/m <sup>2</sup> K

REV	DATE	DESCRIPTION	DWN	CHK'D
-----	------	-------------	-----	-------

DM Contract Solutions Ltd  
Lombard Business Park  
8 Lombard Road  
London SW19 3TZ  
t : 020 3174 0208 f : 0208 543 2299  
e : office@dmcontractsolutions.co.uk  
www.dmcontractsolutions.co.uk

CONTRACT -  
CLIENT -

TITLE  
SLIDING/FOLDING DOOR  
DMCS/SF-150  
4-PANELS OPEN OUTWARDS

DATE 23 December 2010	ORIG'D BY -	PASSED BY -
SCALE 1:20 @ A3	STATUS CONSTRUCTION	

DWG. NO. 00001	REV. -
----------------	--------