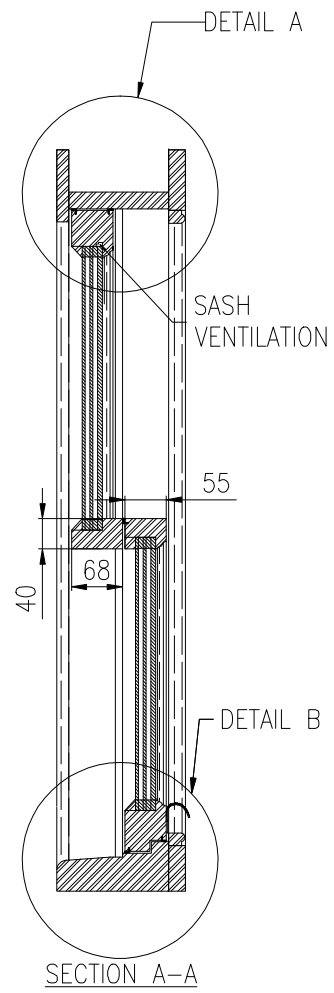
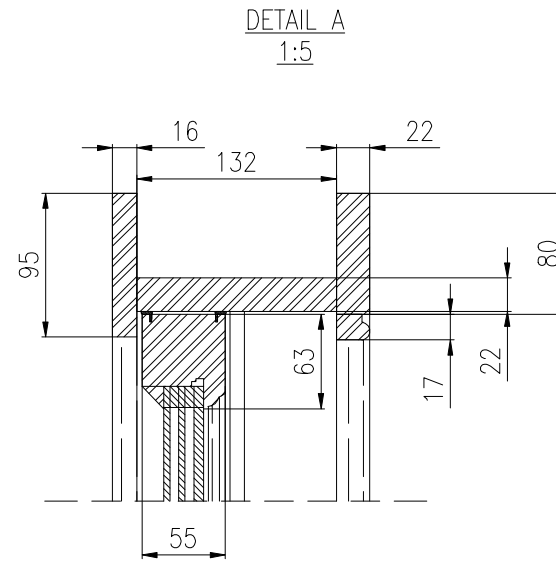
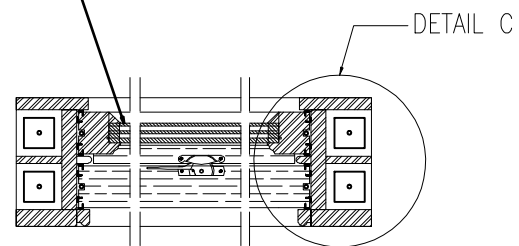


FRONT VIEW

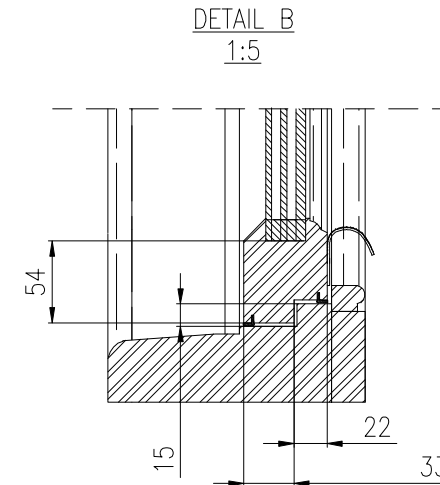


SECTION A-A

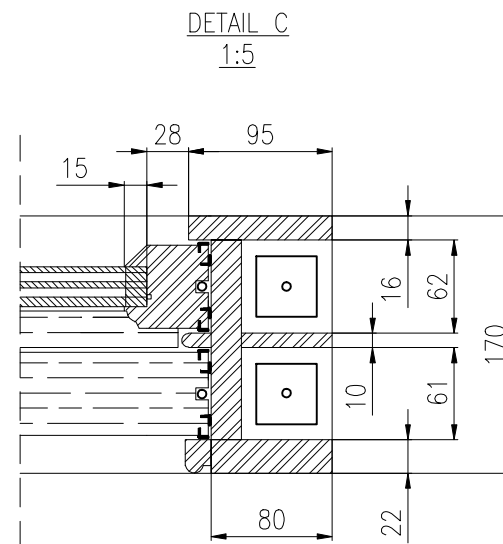
TRIPLE GLAZED WINDOW
 4mm GLASS
 6mm SPACE FILLED WITH ARGON
 4mm GLASS
 6mm SPACE FILLED WITH ARGON
 6.4 LAMINATED OR TOUGHENED GLASS



DETAIL A
1:5



DETAIL B
1:5



DETAIL C
1:5

NOTES

1. THIS DRAWING TO BE READ IN CONJUNCTION WITH ALL OTHER RELEVANT DRAWINGS AND SPECIFICATIONS.
2. ALL DIMENSIONS IN MILLIMETRES UNLESS OTHERWISE STATED.
3. DO NOT SCALE FROM THIS DRAWING.

SASH LEAD BALANCED WINDOW
DIMENSIONS = According to Drawings and Client's Specifications
MATERIAL = Engineering Softwood (Pine) or Hardwood (Oak, Meranti)
COLOUR = According to Client's Specifications
GLAZING = Low-E, Double or Triple. Argon Gas Filled
GLASS U-VALUE = 1.1W/m ² K

REV	DATE	DESCRIPTION	DWN	CHK'D
DM Contract Solutions Ltd Lombard Business Park 8 Lombard Road London SW19 3TZ t : 020 3174 0208 f : 0208 543 2299 e : office@dmcontractsolutions.co.uk www.dmcontractsolutions.co.uk				

CONTRACT	-
----------	---

CLIENT	-
--------	---

TITLE	LEAD BALANCED SASH WINDOW DMCS/SLB-170
-------	--

DATE	06 November 2010	DRW'D BY	-	PASSED BY	-
SCALE	1:10@ A3	STATUS	CONSTRUCTION		
DRG. NO.	00002	REV.	-		