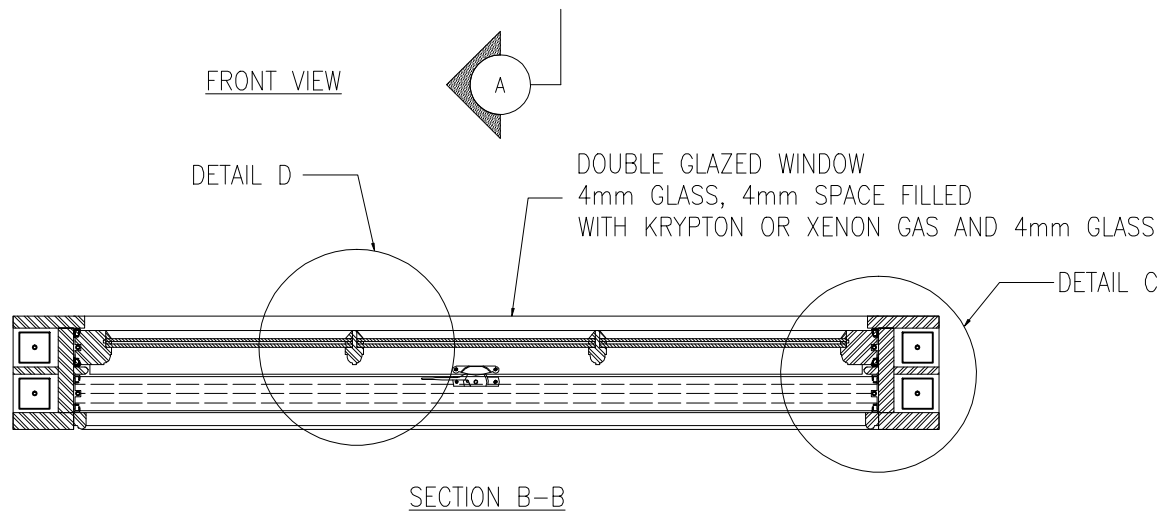
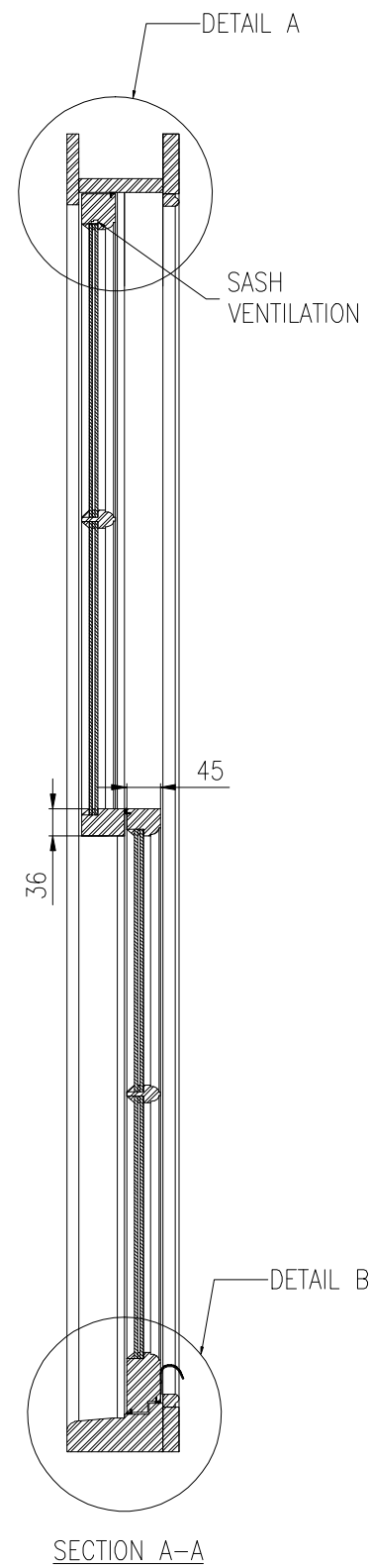


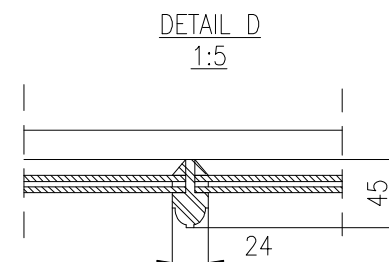
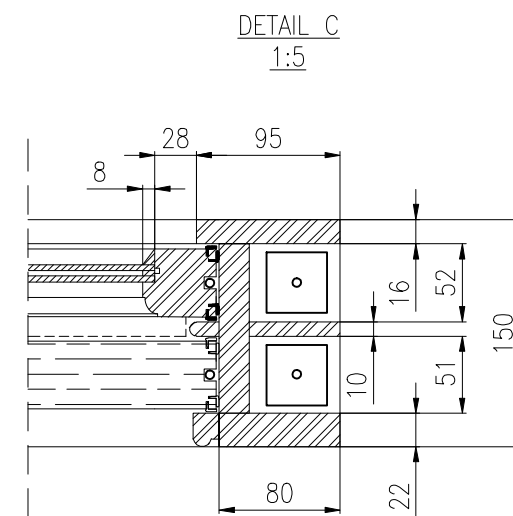
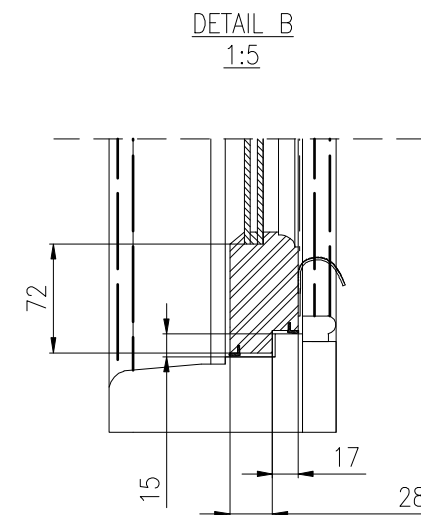
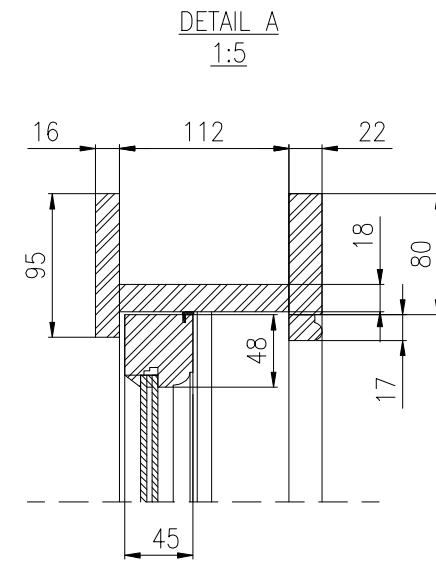
FRONT VIEW



SECTION B-B



SECTION A-A



NOTES

1. THIS DRAWING TO BE READ IN CONJUNCTION WITH ALL OTHER RELEVANT DRAWINGS AND SPECIFICATIONS.
2. ALL DIMENSIONS IN MILLIMETRES UNLESS OTHERWISE STATED.
3. DO NOT SCALE FROM THIS DRAWING.

SASH LEAD BALANCED WINDOW
DIMENSIONS = According to Drawings and Client's Specifications
MATERIAL = Engineering Softwood (Pine) or Hardwood (Oak, Meranti)
COLOUR = According to Client's Specifications
GLAZING = Double. 4/4/4mm Krypton or Xenon Gas Filled
GLASS U-VALUE = 1.5 (Xenon) -1.9 (Krypton) W/m ² K

REV	DATE	DESCRIPTION	DWN	CHK'D
DM Contract Solutions Ltd				
Lombard Business Park 8 Lombard Road London SW19 3TZ t : 020 3174 0208 f : 0208 543 2299 e : office@dmcontractsolutions.co.uk www.dmcontractsolutions.co.uk				

CONTRACT	-
CLIENT	-

TITLE	SLIMLINE SASH LEAD BALANCED WINDOW
-------	------------------------------------

DATE	06 November 2010	OR'D BY	-	PASSED BY	-
SCALE	1:10@ A3	STATUS	CONSTRUCTION	REV.	-
DRG. NO.	00002				