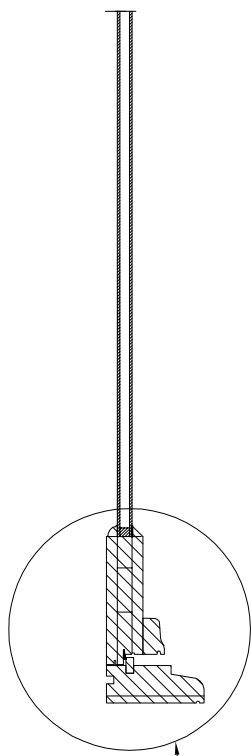
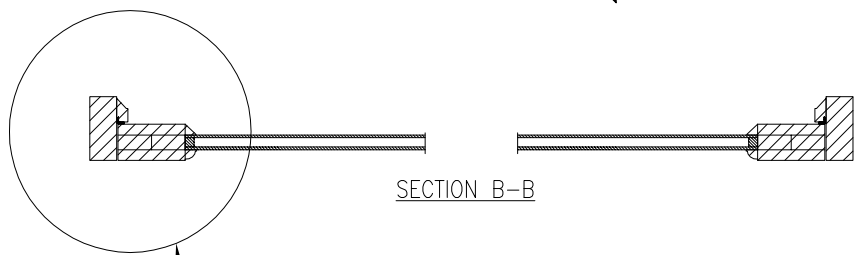


DETAIL A

SECTION A-A



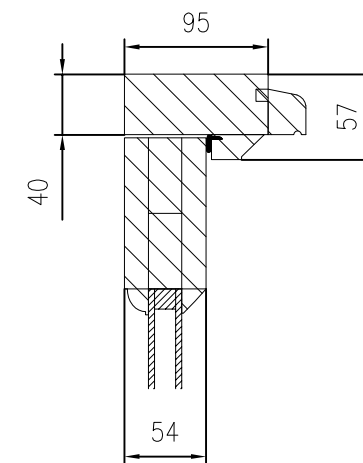
DETAIL B



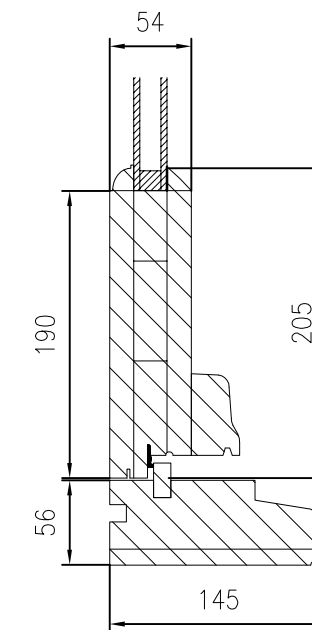
SECTION B-B

DETAIL C

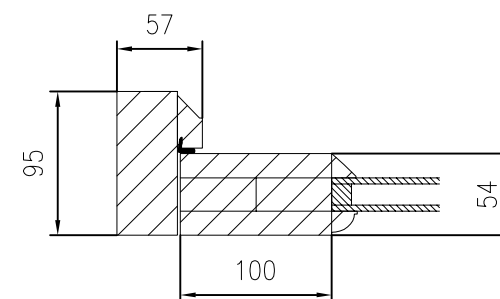
DETAIL A



DETAIL B



DETAIL C



NOTES

1. THIS DRAWING TO BE READ IN CONJUNCTION WITH ALL OTHER RELEVANT DRAWINGS AND SPECIFICATIONS.
2. ALL DIMENSIONS IN MILLIMETRES UNLESS OTHERWISE STATED.
3. DO NOT SCALE FROM THIS DRAWING.

FRENCH DOOR FD-95 OPEN INWARDS

DIMENSIONS = According to Drawings and Client's Specifications

MATERIAL = Engineering Softwood (Pine) or Hardwood (Oak, Meranti)

COLOUR = According to Client's Specifications

GLAZING = Low-E, Double or Triple Argon Gas Filled

GLASS U-VALUE = 1.3W/m<sup>2</sup>K

REV	DATE	DESCRIPTION	DWN	CHK'D
-----	------	-------------	-----	-------

DM Window Solutions Ltd

Lombard Business Park  
 8 Lombard Road  
 London SW19 3TZ  
 t : 020 3174 0208 f : 0208 543 2299  
 e : office@dmcontractsolutions.co.uk  
 www.dmwindowsolutions.co.uk

CONTRACT -

CLIENT -

TITLE  
 FRENCH DOOR  
 FD-95  
 OPEN INWARDS

DATE 20 August 2012 ORG'D BY - PASSED BY -

SCALE 1:100 A3 STATUS CONSTRUCTION

DRG. NO. 00/1/11 REV. -