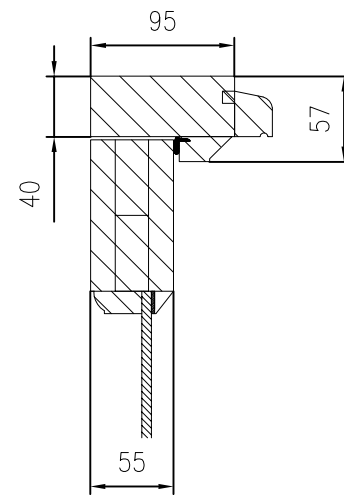
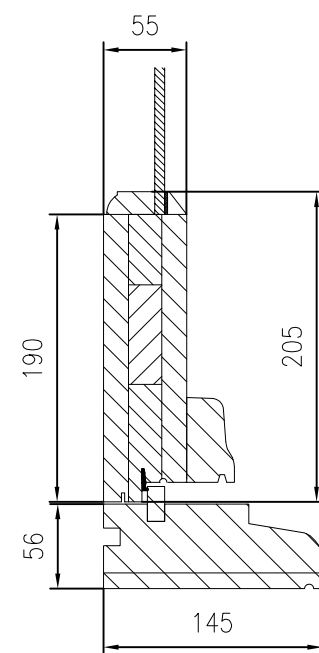


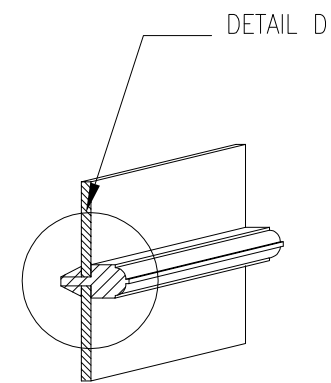
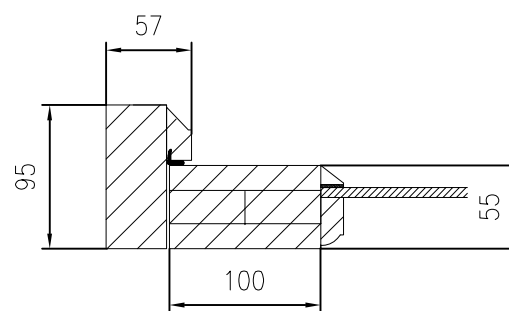
DETAIL A



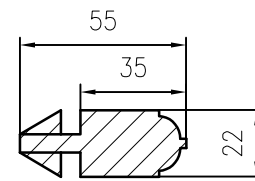
DETAIL B



DETAIL C



DETAIL D



NOTES

1. THIS DRAWING TO BE READ IN CONJUNCTION WITH ALL OTHER RELEVANT DRAWINGS AND SPECIFICATIONS.
2. ALL DIMENSIONS IN MILLIMETRES UNLESS OTHERWISE STATED.
3. DO NOT SCALE FROM THIS DRAWING.

FRENCH DOOR DM-95 single glazed
DIMENSIONS = According to Drawings and Client's Specifications
MATERIAL = Engineering Softwood (Pine) or Hardwood (Oak, Meranti)
COLOUR = According to Client's Specifications
GLAZING = Low-E, Single, Laminated 6.4mm
GLASS U-VALUE = N/A

REV	DATE	DESCRIPTION	DWN	CHK'D	
DM Window Solutions Ltd Lombard Business Park 8 Lombard Road London SW19 3TZ t : 020 3174 0208 f : 0208 543 2299 e : office@dmcontractsolutions.co.uk www.dmcontractsolutions.co.uk					
CONTRACT					
-					
CLIENT					
-					
TITLE					
FRENCH DOOR FD-95 single glazed OPEN INWARDS with TRUE DIVIDED LIGHTS					
DATE	20 August 2012	ORGD BY	-	PASSED BY	-
SCALE	1:10@ A3	STATUS	CONSTRUCTION		
DRG. NO.	00/01/12			REV.	-