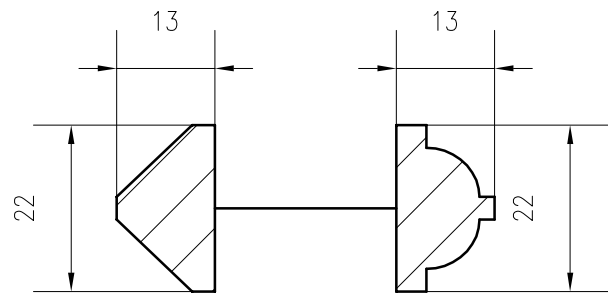
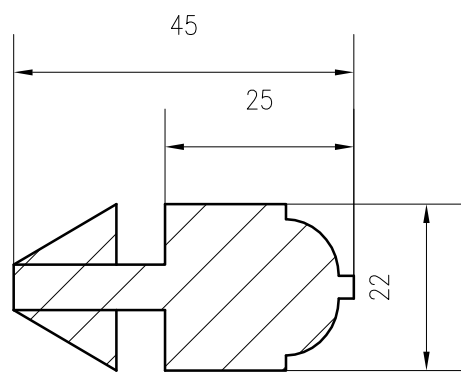


GEORGIAN BARS

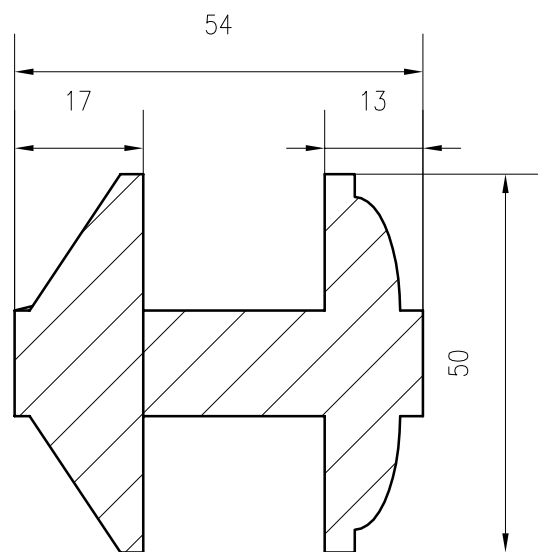
Simulated Divided Light



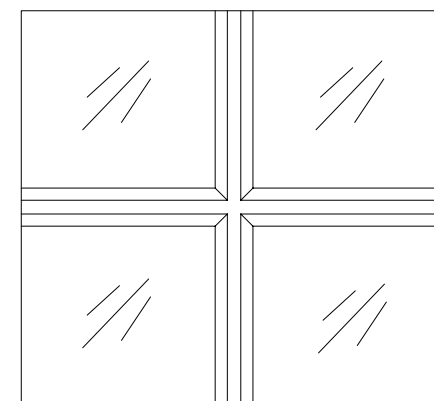
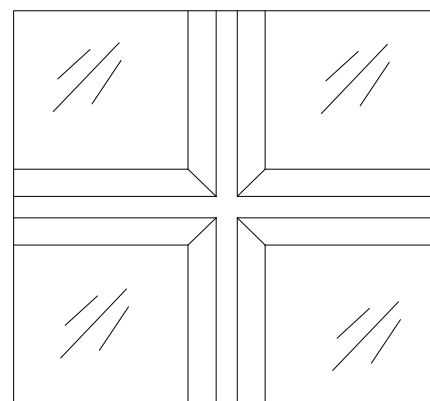
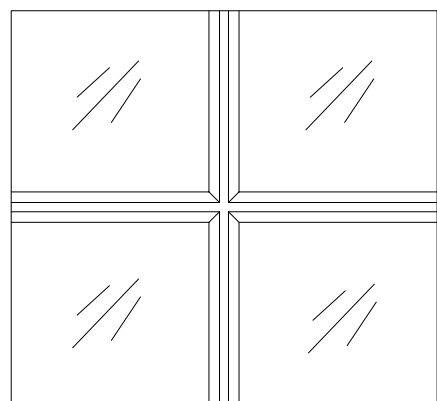
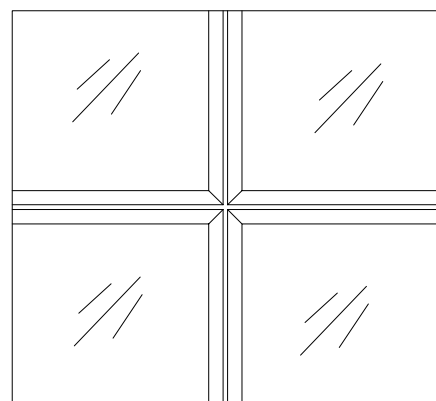
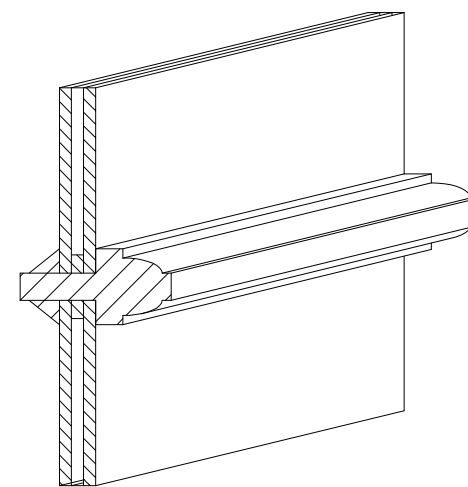
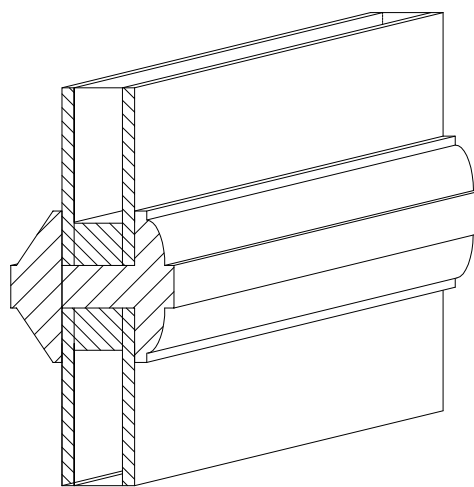
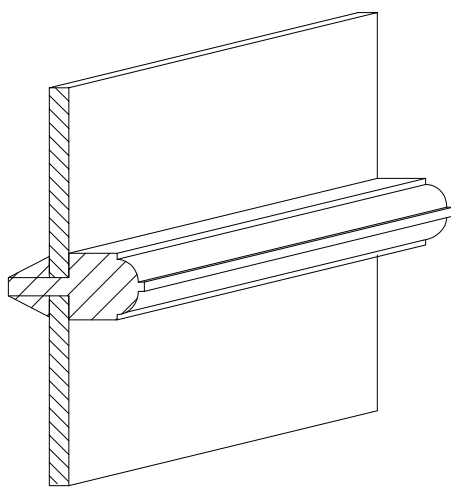
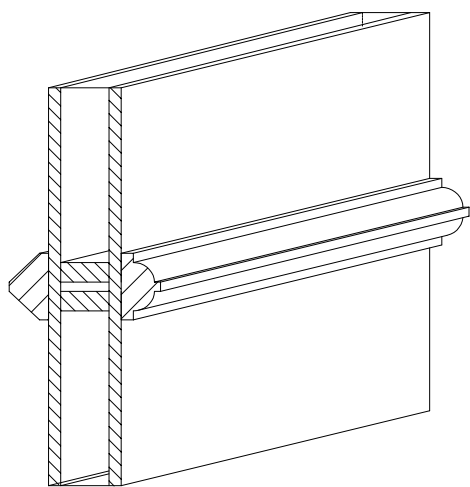
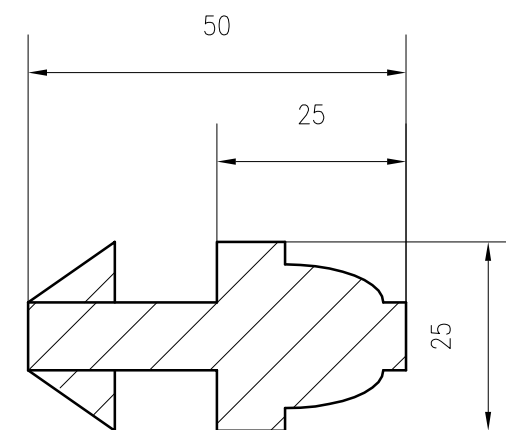
True Divided Light (Single Glazing)



True Divided Light (Double Glazing)



SlimLine Glazing Bar



NOTES

1. THIS DRAWING TO BE READ IN CONJUNCTION WITH ALL OTHER RELEVANT DRAWINGS AND SPECIFICATIONS.
2. ALL DIMENSIONS IN MILLIMETRES UNLESS OTHERWISE STATED.
3. DO NOT SCALE FROM THIS DRAWING.

GEORGIAN BARS

SDL – Simulated Divided Light
 TDL-SG – True Divided Light (single glazing)
 TDL – True Divided Light (single or double glazing)
 SLGB – SlimLine Glazing Bar

SDL is a fabrication with one full-light piece of double glazing unit bedded in a full-light frame in the same way TDL is installed, however, with internal spacer bars sandwiched inside the sealed unit together with applied mouldings to simulate the appearance of traditional TDL sash and doors.

TDL fabrication includes traditional full sash thickness strips of wood and glazing bars separating and holding individual panes of single or double glazing units.

SLGB is a fabrication used for specialist applications or in conservation settings with max DGU thickness of 12–14mm.

REV	DATE	DESCRIPTION	DWN	CHK'D
-----	------	-------------	-----	-------

DM Contract Solutions Ltd
 Lombard Business Park
 8 Lombard Road
 London SW19 3TZ
 t : 020 3174 0208 f : 0208 543 2299
 e : office@dmcontractsolutions.co.uk
 www.dmcontractsolutions.co.uk

CONTRACT -

CLIENT -

TITLE
 GEORGIAN BARS
 1. Simulated Divided Light
 2&3. True Divided Light
 4. SlimLine Glazing Bar

DATE 20 June 2012 ORG'D BY - PASSED BY -

SCALE 1:1@ A3 STATUS CONSTRUCTION

DRG. NO. 00/1/00-1 REV. 2