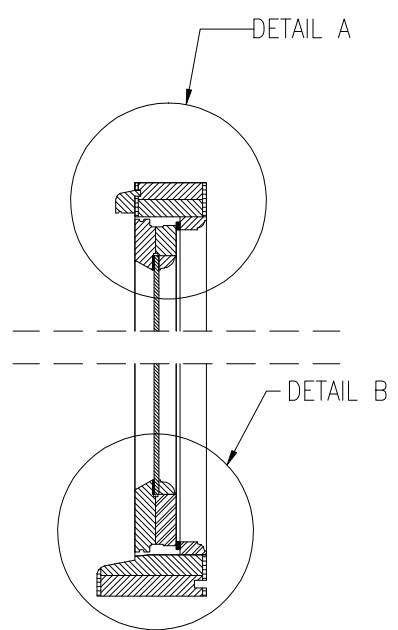
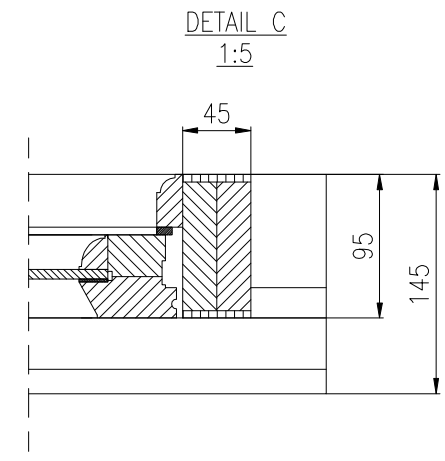
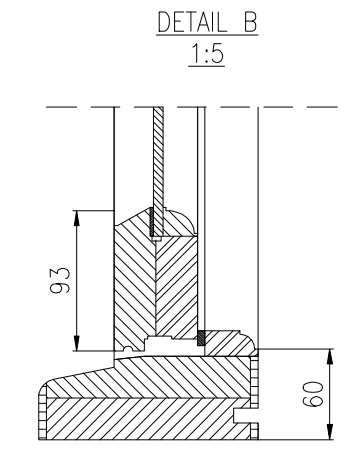
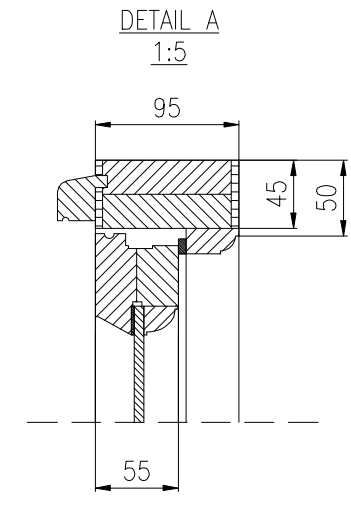
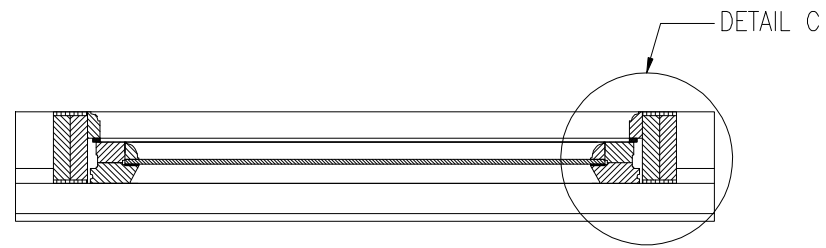


FRONT VIEW

BACK VIEW



SECTION A-A



SECTION B-B

- NOTES**
1. THIS DRAWING TO BE READ IN CONJUNCTION WITH ALL OTHER RELEVANT DRAWINGS AND SPECIFICATIONS.
  2. ALL DIMENSIONS IN MILLIMETRES UNLESS OTHERWISE STATED.
  3. DO NOT SCALE FROM THIS DRAWING.

CASEMENT FLUSH WINDOW
DIMENSIONS = According to Drawings and Client's Specifications
MATERIAL = Engineering Softwood (Pine) or Hardwood (Oak, Meranti)
COLOUR = RAL 9016 or According to Client's Specifications
GLAZING = Single, laminated 6.4mm, Low-E
GLASS U-VALUE = N/A

REV	DATE	DESCRIPTION	DWN	CHK'D
DM Contract Solutions Ltd Lombard Business Park 8 Lombard Road London SW19 3TZ t : 020 3174 0208 f : 0208 543 2299 e : office@dmcontractsolutions.co.uk www.dmcontractsolutions.co.uk				
CONTRACT				
-				
CLIENT				
-				
TITLE				
FLUSH CASEMENT WINDOW DMCS/CF-95 SINGLE GLAZED				
DATE	03 July 2012	DRW'N BY	-	PASSED BY
SCALE	1:10@ A3	STATUS	CONSTRUCTION	
DRG. NO.	00/1/021	REV.	2	