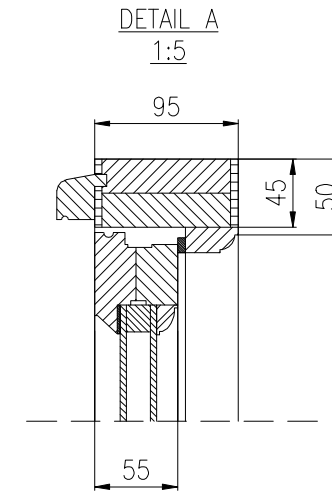
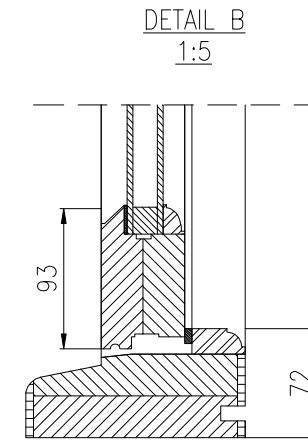


FRONT VIEW

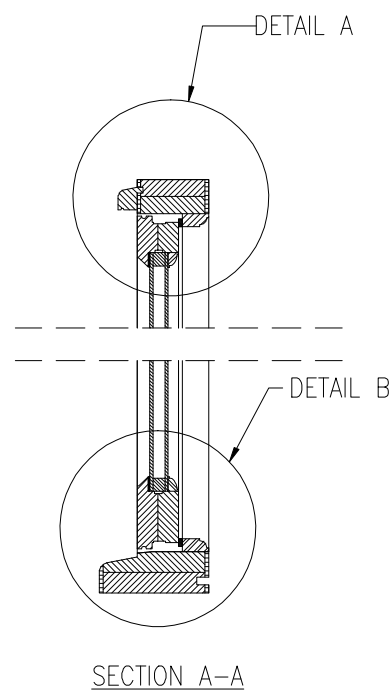
BACK VIEW



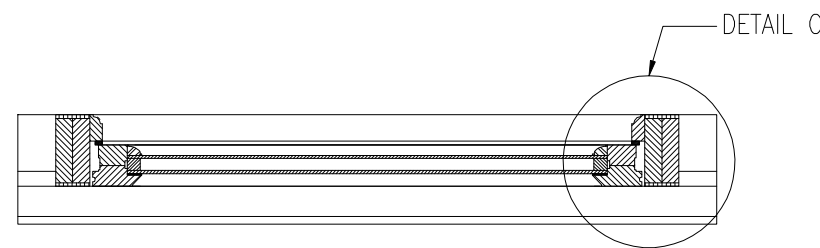
DETAIL A
1:5



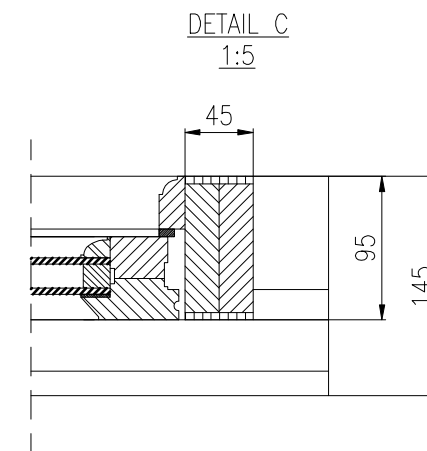
DETAIL B
1:5



SECTION A-A



SECTION B-B



DETAIL C
1:5

NOTES

1. THIS DRAWING TO BE READ IN CONJUNCTION WITH ALL OTHER RELEVANT DRAWINGS AND SPECIFICATIONS.
2. ALL DIMENSIONS IN MILLIMETRES UNLESS OTHERWISE STATED.
3. DO NOT SCALE FROM THIS DRAWING.

CASEMENT FLUSH WINDOW
DIMENSIONS = According to Drawings and Client's Specifications
MATERIAL = Engineering Softwood (Pine) or Hardwood (Oak, Meranti)
COLOUR = RAL 9016 or According to Client's Specifications
GLAZING = Low-E, Double or Triple Argon Gas Filled
GLASS U-VALUE = 1.1W/m ² K

REV	DATE	DESCRIPTION	DMN	CHK'D
DM Contract Solutions Ltd Lombard Business Park 8 Lombard Road London SW19 3TZ t : 020 3174 0208 f : 0208 543 2299 e : office@dmcontractsolutions.co.uk www.dmcontractsolutions.co.uk				
CONTRACT				
-				
CLIENT				
-				
TITLE				
FLUSH CASEMENT WINDOW DMCS/CF-95				
DATE	03 July 2010	OR'D BY	-	PASSED BY
SCALE	1:10@ A3	STATUS	CONSTRUCTION	
DRG. NO.	00/1/004	REV.	2	